

# AARC OVER

*Keeping  
Austin  
Wireless...  
Since 1919*



*Now  
in our  
101st  
Year!*

# AARC

Bulletin of the  
Austin Amateur Radio Club

ISSN 1067-0262

## In This Issue

**AARC Meeting - June 2 - SPECIAL INFO**  
A Simple, Effective Switch for CW Keys  
Amateur Radio Exam - Test Results  
Resources for Learning CW (Morse Code)  
Over the WWaves...  
Just for Fun

2	Meeting info	8
3	Upcoming Exams / Calendar of Events	"
4	Upcoming Meetings / Periodic Events	9
5	Meeting Minutes	10
6	Club Info:	11
7	Repeaters / Officers / Contact info	"

## June, 2020

# Austin Amateur Radio Club Meeting for June 2 will be held ONLINE!

Continuing adherence to social distancing mandates, the AARC meeting will be held online, Tuesday June 2, 2020 at 7:00p.m. using the Zoom app. If you do not have Zoom, you may download the free application from the Zoom website for your desktop, laptop, or tablet. It can also be loaded on your smart phone from the iPhone or Android Stores.

<https://zoom.us/Download>

Zoom will allow the group to see the PowerPoint presentation online, as well as allowing the whole group to hear the speaker. While presentations are in progress **please mute your microphone** so the whole group will not hear background noise from your location. If you would like to ask a question, you can select "*Raise Your Hand*" from the application menu and the speaker will recognize you to take your app off mute. Then return to mute after you have finished.

The *Raise Your Hand* feature will also be used for any votes necessary during the meeting. After voting, please *Lower Your Hand*. You will also have the option to only see who is speaking or a view of all participants, with the speaker outlined in green.

We are looking forward to seeing and hearing from you during our regular meeting date and time. We also would like to express our appreciation to Clear Blue Sky Digital for allowing the club to use Zoom Pro at no charge to the club.

**Kerby Spruiell**, AARC President

## The Austin Amateur Radio Club

Monthly Meeting - June 2, 2020

Topic: **Field Day 2020 during COVID-19**, by W5IFQ, Lew Thompson  
Lew will be presenting on how to setup a temporary HF antenna in your backyard.

**Solar Weather**, by W5IFQ, Lew Thompson

Time: **7 p.m. to 9 p.m.** , Central Time, Tuesday, June 2

**An email will be sent with meeting details as the date approaches.**

Make sure your email address is up-to-date on the [austinhams.org](http://austinhams.org) site.

**Please do not post meeting info on social media or transmit via the radio.**  
**Unfortunately, QRM is likely and expected if the meeting is published publicly.**

***If you don't receive the meeting info,  
please contact an officer for the meeting link and password.***

Contact info is on the last page.

**Note 1:** You can join the audio portion by phone or using your computer's audio. If you need to speak, you will need a headset with microphone to prevent feedback. If you do not need to speak, you can simply use your computer speakers to listen.

**Note 2:** If you have not used the Zoom teleconferencing app before, you may want to visit the pages below for some hints and tips on participating in the meeting:

<https://www.wired.com/story/tips-for-using-zoom/>

<https://thewirecutter.com/blog/use-zoom-like-a-pro/>



# A Simple, Effective Switch for CW Keys

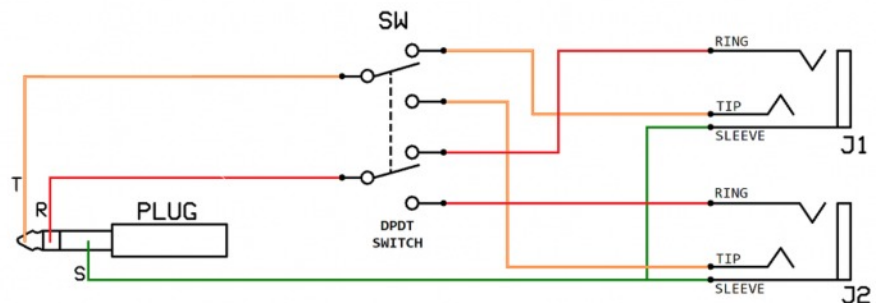
by Michael Marks, KG5RXG

If you operate CW, chances are you most likely own and use two or more paddles. I use a Kent paddle for everyday QSOs and a Russian Military straight key for SKCC. It was a pain to switch from a QSO to another station calling CQ SKCC as I had to reach behind the IC 7300 (only one CW port). This simple, low-cost project makes using your paddles even more enjoyable you don't have to unplug the cable from the back of your rig. I used a 3.5mm stereo jack and a 1/4" stereo jack. You can use the jack of choice to fit your key/paddle.

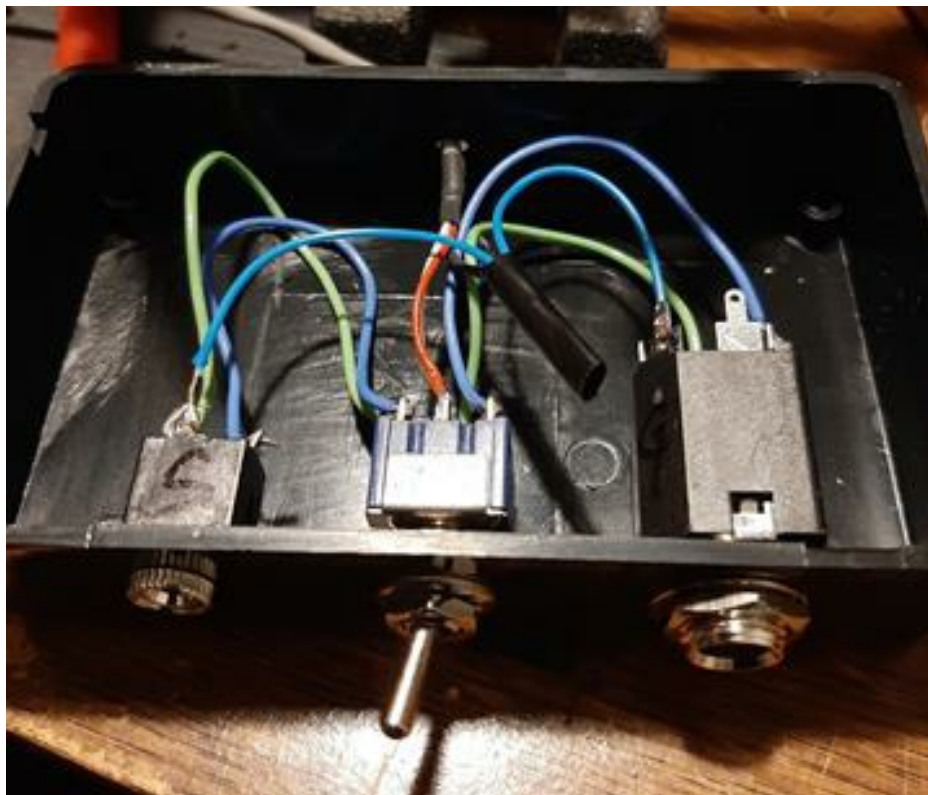
Parts list:

- One (1) DPDT Switch
- Two (2) Input Jacks
- One (1) Male plug to fit your transceiver
- One (1) Small Project Box

Schematic:



The finished result (cover removed):



# AMATEUR RADIO EXAM - TEST RESULTS

No exam results for ARRL VEC for the month of May.

Please visit [http://www.austinsummerfest.org/VEC/ARRL\\_1st\\_Sat\\_Exams.html](http://www.austinsummerfest.org/VEC/ARRL_1st_Sat_Exams.html) for details and list of scheduled exams.

NOTE: The **JUNE** exam is **canceled** as the test site is not available due to Church coronavirus contagion concerns.

TNX ES 73 DE W5HS

Joe

---

The South Austin W5YI VE exam for May was canceled due to the closure of St. Edward's University in response to COVID-19.

The amateur radio exam sessions normally start at 2 PM on scheduled test dates in Fleck Hall, room 118 on the campus of St. Edward's University. All sessions are walk-in and the exam fee is \$14 (cash or check).

For additional information regarding our amateur radio examination sessions, please contact Craig, AC5KW at (512) 474-6443 or by e-mail to [craigmb5 /at/ gmail.com](mailto:craigmb5@atgmail.com)

Please visit [AustinHams.org](http://AustinHams.org) for current information about ham radio exam sessions returning.



# Resources for Learning CW (Morse Code)

DE K5MSK (Michael)

There are many resources available to help you learn Morse code. The following are just a few get you started on your journey to learn the code.

One of the most popular programs to study and Morse is the **G4FON CW Trainer**. It has plenty of options to help you learn. You can set the pitch, actual speed, and effective speed as well as adding some realism with signal strength and noise! You can even import audio books (or any other text) for some real text copy.

Download at <http://www.g4fon.net/> and start learning today!

Do you want to take a structured training class? The **Long Island CW Club** may be a good fit for you.

For a \$30/year membership, you can take advantage of their classes, which use a combination of the Koch and

Farnsworth methods. CW is sent at 20 words per minute character speed, but the spacing between letters is five (5) words per minute. This is done to help the student get used to higher character speeds from the start and not learn by counting dots and dashes. They have many classes one (1) hour per week at various levels and even have on-air practice sessions, and more! Beginning students should plan on practicing 15-20 minutes daily. G4FON CW software is used and four (4) letters and/or numbers are taught per week. Visit <https://longislandcwclub.org/> for more info.

The ARRL has scheduled practice sessions on the air and for download. The on-air sessions send from the **W1AW** station are on several bands simultaneously, and at different speeds. Slow Code practice is sent at 5, 7-1/2, 10, 13 and 15 words per minute (wpm). Fast Code practice is sent at 35, 30, 25, 20, 15, 13 and 10 wpm. Code bulletins are sent at 18 wpm.

Frequencies are: 1.8025, 3.5815, 7.0475, 14.0475, 18.0975, 21.0675, 28.0675, 50.350, and 147.555 MHz. I have regularly heard a very clear signal on 7.0475, and depending on propagation, a decent signal on 14.0475. For the full on-air schedule, visit

<http://www.arrl.org/w1aw-operating-schedule>

If you can't get a good copy on the air, or don't have an HF rig, you can download MP3 files of previous sessions. To download the files, visit <http://www.arrl.org/code-practice-files>

Looking for an **inexpensive key** to practice sending? I stumbled across <https://cwmorse.us/> which has a number of paddles and keys of different styles. The least expensive model at this time is the NANO QRP Morse Code Key at \$19.95. Code Practice Oscillators are also sold on the site.

Other inexpensive **Code Practice Oscillators** (CPO) and keyers (if your HF rig doesn't have one built-in) can be found on eBay and other sites. One I found and like is the MX-K2, which can be used as a CPO for practice, or as a keyer for a transmitter. It has two memories that can come in handy if you're a contester or just want to be able to reliably send CQ CQ CQ DE {call-sign} K and not tire your *fist*.

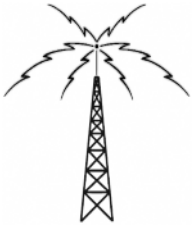
Of course, if you're the **hobbyist who likes to build stuff**, there are plenty of kits of varying levels. Here's a kit on eBay that lets you hook up a speaker or headset so you can practice quietly:

<https://www.ebay.com/i/172992251480>

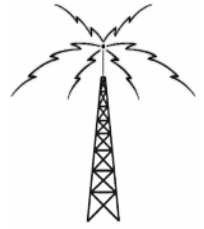
For the truly frugal hobbyist, consider hooking up a simple piezo buzzer and battery to your key. You can't vary the tone, but it does work and is really inexpensive. For a challenging project, this <http://www.solorb.com/elect/sidetone/index.html> circuit can be build on a solderless breadboard.

There you go! Plenty of ideas to get you started. Do you have any favorite resources to learn CW? Send them to editor [\[\[at\]\] austinhams.org](mailto:at@austinhams.org) and we'll share them in an upcoming issue.





# Over the W/W/Waves...



(Note: Some titles added by Editor. All links verified prior to publication.)

It's time to stop clicking your mouse button and start tapping that Morse code key!

## Morse Code Day

Born April 27, 1791, Samuel F.B. Morse was an American inventor and painter. After having established his reputation as a portrait painter, in his middle age Morse contributed to the invention of a single-wire telegraph system based on European telegraphs. He was a co-developer of Morse code and helped to develop the commercial use of telegraphy. (Source: [https://en.wikipedia.org/wiki/Samuel\\_Morse](https://en.wikipedia.org/wiki/Samuel_Morse)) Learn more about Morse Code Day at <https://www.daysoftheyear.com/days/morse-code-day/>



## Learn Your Name in Morse Code Day

Apparently started in the United Kingdom, January 11th is *Learn Your Name in Morse Code Day*. That day in 1838 was the first public demonstration of the electric telegraph, which uses Morse code, by inventors Samuel Finley Breese Morse and Alfred Vail. <https://www.brownielocks.com/learnyournameinmcday.html>  
<https://www.inyourarea.co.uk/news/did-you-know-today-is-learn-your-name-in-morse-code-day/>

## Why Learn Morse Code?

It was previously a requirement to get an Amateur Radio License. Since the requirement was eliminated February 14, 1991, fewer hams learn Morse code and practice CW. But why should you learn the code? The Radio Society of Great Britain sums it up in this short article.

<https://rsgb.org/main/get-started-in-amateur-radio/operating-your-new-station/morse-code-is-still-worth-learning-but-why/>

## Lots More Morse Code and CW Resources

Page 5 lists a few resources for Morse code and CW. This site has more resources to check out:  
<https://www.ditdit.fm/resources>

## Getting On The Air with CW

You've been practicing and you're ready to hit the airwaves to make a contact, but you're not sure where to start. This *Beginner's Guide to Making CW Contacts* may help you find your way.  
<http://www.felge.us/BeginGuideCW.htm>

## Slow Code CW Nets

Here are a few on-air "Nets" that are especially for slow code, i.e. beginners.

Texas Slow Net - [http://www.atcweb.com/tsn/Texas\\_Slow\\_Net.htm](http://www.atcweb.com/tsn/Texas_Slow_Net.htm)

Georgia CW Training Net - <http://ad4dx.com/gtn/>

Maryland Slow Net - <http://www.bdb.com/~msn/>

International Morse Preservation Society - <https://fistsna.org/operating.html>

Utah Amateur Radio Club - <https://user.xmission.com/~uarc/netsched.html> (see footnotes for slow code)

Do you have any favorite links? Send them to the editor [\[\[at\]\] austinhams.org](mailto:[]@austinhams.org)



# Just For Fun...



## Word Search

Can you find all the words listed below in this puzzle? The words are taken from articles, news, events, or *anywhere* in this newsletter. Can you find them in this newsletter?

C S E V A W R I A F T L P H S  
 O R I H M A O Y A P O K P K T  
 N E A F B W P R L V O A L O U  
 T J X N O R N A M O R V A C O  
 A F D X H S E Q R G R D I H C  
 C J N G W J U N E K N Q N A S  
 T R R O T A L L I C S O N K M  
 S B R Y I Y E H P A Z P E P J  
 E T Y X E T Q X O I R O T P P  
 H U Q V Z T I N B B C T N J C  
 M O R S E G U D R L B Z E V D  
 M U P R E S I D E N T Y C N L  
 S X Q A F A D E C P M R I D U  
 B L P F P J F N R M X F Z S E  
 O I L K I Z W I K O C D C W T

AIRWAVES  
 CENTENNIAL  
 CONTACTS  
 DXPEDITION  
 FARNSWORTH

HOBBYIST  
 KOCH  
 MORSE  
 OSCILLATOR  
 PARKS

PRESIDENT  
 SCOUTS  
 SURVEY  
 TELEGRAPH  
 TRAINER

## Action on the Airwaves

Looking for a way to “get out” during COVID-19 lockdown?

This is just a *sample* of the special events stations.

Check out more [activities on the air!](#)

**NOTE: Due to COVID-19 and shelter-in-place orders around the country, some events may be canceled, postponed, or modified without notice. Check the respective links for current info.**

### 06/01/2020 | Dog Island IOTA DXpedition to NA-085/EL79

Jun 1-Jun 11, 0059Z-2359Z, K4D, Caribbelle, FL. K5TEN. 14.074 7.074 14.235 7.190. QSL. Bruce Brady, 208 Mt Tabor Rd., Hot Springs National Park, AR 71913. **Rare grid EL79. Rare IOTA NA-085.** Paper QSL preferred, also LoTW and eQSL. See website for QSL details. rockradio1@aol.com or <https://www.qrz.com/db/k4d>

### 06/13/2020 | WHOA/Scout Camps On the Air

Jun 13, 1300Z-1900Z, W1M, Russell, MA. Western Mass Council-BSA. 14.250 10.115 7.060 7.190. QSL. Thomas Barker, 329 Faraway Rd., Whitefield, NH 03598.

### 06/14/2020 | Iowa State Parks On-the-Air Centennial – Cedar Rock

Jun 14, 1500Z-1900Z, KCØRMS, Quasqueton, IA. Buchanan County Amateur Radio Club . 14.240 7.240. Certificate & QSL. Great River ARC, P.O. Box 1384, Dubuque, IA 52004. IASPOTA-2020 Lowell Walter residence by the famed architect Frank Lloyd Wright, the residence lies on a limestone bluff overlooking the Wapsipinicon River near Quasqueton in Buchanan County. Cedar Rock is one of nine Wright designed residences in Iowa. Certificate & QSL managed by Great River Amateur Radio Club, P.O. Box 1384, Dubuque, IA 52004. QSL for contact; certificate for 5 parks. See website for complete information, <http://www.w0dbq.org/rules> or <https://www.bcarc.net/>

### 06/20/2020 | Kids Day Lawton, OK

Jun 20, 1800Z-2359Z, K1D, Lawton, OK. Frank Phillips Memorial Repeater Association, AB5J. 21.250 14.250 14.045 7.250. QSL. Ronald Grossman, 1308 SW Washington Ave., Lawton, OK 73501. Celebrating the ARRL Kids Day in Lawton, OK. Please contact us using Special Event Callsign K1D. QSL available SASE. We will be on FT-8, CW, SSB, DMR, etc. Lets support the Kids!

### 06/24/2020 | Field Day 2020, Commemorating the Lives of President Ronald & Mrs. Nancy Reagan

Jun 24-Jun 30, 0000Z-2359Z, N6R, Simi Valley, CA. Ventura County Amateur Radio Society, Simi Settlers Amateur Radio Club and other area Amateur Radio Operators. 21.320 14.255 7.260 3.810. QSL. Peter S. Heins, 1559 Norwich Ave., Thousand Oaks, CA 91360. <https://www.qrz.com/db/n6r>

### 06/28/2020 | Boy Scouts of America Trail to Eagle XXVI

Jun 28-Jul 3, 1300Z-0500Z, K2BSA/8, Metamora, MI. Garden City Amateur Radio Club. 14.330 7.270 3.840. QSL. Richard Zarczynski, AC8FJ, 7371 N. Farmington Road, Westland, MI 48185-6900. K2BSA/8 will operate at the D-Bar-A Scout Ranch during the week as time permits. We will also be teaching the Radio merit badge to our scouts. <https://michiganscouting.org/event/trail-to-eagle-xxvi-2019-trail-to-eagle/>

## June Survey

We have a simple survey to find out more about our readers. It's definitely *just for fun* and not a scientific or statistical study of anything.

Visit <https://www.surveymonkey.com/r/T7YVW2M> and answer a few short questions. It's all anonymous, so feel free to share.

We'll publish the results in the next AACOVER issue.



## AARC Monthly Meeting Info

Tuesday, June 2, 2020 / 7:00pm to 9:00pm

Location: ONLINE - Email invite  
See Page 2 for more info

### Meeting Topic

Field Day 2020 during COVID-19  
by Lew Thompson, W5IFQ  
*How to setup a temporary HF  
antenna in your backyard.*

Solar Wx Summary, by Lew, W5IFQ

## Upcoming Amateur Exams: 2020

ARRL VE - Please visit  
[http://www.austinsummerfest.org/VEC/ARRL\\_1st\\_Sat\\_Exams.html](http://www.austinsummerfest.org/VEC/ARRL_1st_Sat_Exams.html)  
for details and list of scheduled exams.

**June exam is CANCELED / July is pending**

For more info, contact:

Joe Makeever, W5HS (512-345-0800)

W5YI VEC - **June Exam-CANCELED / July is pending**  
2 p.m. In Room 118, Fleck Hall,  
St. Edwards University. \$14 fee.

For more info, contact:

Craig, AC5KW [at] ARRL.net

## 2020 - Calendar of Events

### Jun 12-13 – HamCom

**Canceled due to COVID-19 threat per website:**  
<https://sites.google.com/hamcom.org/ham-com/home>

### July 11 – Tidelands Texas City Hamfest

8:00 am - 2:00 pm  
Charles T. Doyle Convention Center, 2010 5th Avenue  
North, Texas City, TX 77590 United States  
Talk-in: 147.14 MHz Tone 167.9  
(Secondary) 442.025 MHz Tone 103.5  
<https://www.tidelands.org/> Email: hamfest@tidelands.org  
Yahoo Group replaced with: <https://groups.io/g/tidelands>

### Jul 24-25 – Central States VHF Society Conference

NOTE: **Postponed until 2021 due to COVID-19 threat.**

### Aug 7-8 – Austin Summerfest

Crowne Plaza 6121 North IH-35 Austin, TX 78752  
2020 info TBA on: <http://www.austinsummerfest.org/>

### Aug 22-23 – Huntsville Hamfest & ARRL Southeastern Division Convention

Von Braun Center South Hall  
700 Monroe St SW, Huntsville, AL 35801  
Hours: Saturday 9 AM - 4:30 PM, Sunday 9 AM - 3 PM  
Talk-in: 146.94(-) 100Hz, backup 145.33(-) 100Hz  
Huntsville's Wide Coverage D-STAR System is W4WBC:  
145.36-, 443.425+, 1285+ and 1251 DD  
Yaesu Digital Fusion Users: Use 147.14(+) 100Hz  
DMR Users: DMR Networked System 442.275+ For Talk  
Group info, go to [www.N4HSV.net](http://www.N4HSV.net) for more and  
code plugs.  
<https://hamfest.org/>  
Contact- <https://hamfest.org/contact-us>

### Oct 2-3 – Belton Ham Expo (Fall)

Bell County Expo Center, 301 W Loop 121, Belton, TX  
<http://www.tarc.org/hamexpo>

### Oct 3 – Deep South ARC Hamfest

Deep South Amateur Radio Club / J. C. Davis Auditorium  
400 Thompson Blvd. Chickasaw, Alabama 36611  
Sandy 251-232-1938 or usnamom@bellsouth.net  
<http://k4dsr.com/>

### Oct 17 South Texas Hamfest & Electronics Expo

"TEXAS FASTEST GROWING HAMFEST"  
San Patricio County Fairgrounds - Event Center  
Located at 219 W. 5th Street, Sinton, Texas.  
Doors open to the Public 8:00AM - 3:00PM  
Talk-In Frequency- 147.08(+) 107.2 PL  
<https://squareup.com/store/south-texas-hamfest>  
southtexashamfest@gmail.com or call 361-947-5665  
<http://southtexashamfest.org/> for details

### Oct 23-24 73rd Annual Texoma Hamarama

Ardmore Convention Center  
2401 North Rockford Road Ardmore, OK 73401  
Talk-In: 146.970 - (PL 131.8)  
For latest updates on Texoma Hamarama, send your email  
address to: [texomahamarama@gmail.com](mailto:texomahamarama@gmail.com)  
[www.hamarama.org/](http://www.hamarama.org/)

### Jan 23-30th 2021 7th MPMT 7-days Ham Cruise

Feb ?? 2021 - 30th Annual Lou Withrow Austin/South  
Central Texas SkyWarn; more info when date is set

More info & events listed in the [SwapNet Newsletter!](#)  
Visit <http://austinhams.org/swapnet>



## Upcoming Meetings...

June	July	Frequency	Austin Meetings/Happenings	Time	Address
2	7	1st Tuesday	AARC Meeting @ ONLINE	7:00pm	ONLINE - See page 2
23	28	4th Tuesday	Travis County ARES @ ON-AIR	7:00pm	ONLINE - See groups.io message
16	21	3rd Tuesday	CTDXCC @ Baby Acapulco	6:30pm	9505-B Stonelake Blvd

\* Note: Meetings may occasionally change date or location due to holidays or other events. Check here or their respective websites for updates.

If your club is listed here and has incorrect time or dates, please let us know!

Email: editor [at] austinhams.org

Please include complete details of what needs to be updated.

**DUE TO COVID-19 (coronavirus), in-person meetings are CANCELED.**  
Some are being held online/on-air. Check with their respective leaders for info.

## Periodic Events - In the Area and On-the-Air

Sun	7:00 p.m.	Travis Co. ARES net	147.360 MHz - (131.8)
Sun	1900-Wed 2359	Travis Co. ARES WinLink Wednesday	145.730 MHz
Sun	8:00 p.m.	Williamson Co. ARES net	146.640 MHz - (162.2)
Sun	9:00 p.m.	AARC SwapNet	146.940 MHz - (107.2)
Mon	7:30 p.m.	STX ARES Net	3.873 MHz
Tue	7:30 p.m.	Hays ARES net	147.100 MHz +
Tue	8:00 p.m.	Bastrop ARES Net	443.750 MHz + (114.8)
Wed	10:00 a.m.	Ham Social Brunch, Jim's	146.940 MHz - (107.2)
Thu	9:00 p.m.	2m SSB Net	144.250 MHz (USB)
Thu	11:00 a.m.	Lunch, Pokey Joe's 183&Great Hills	444.100 MHz+
Thu	11:45 a.m.	Lunch, Whataburger, <b>ONLINE</b>	146.940 - (107.2)
		Contact Gene at <b>wa5ac</b> [[at]] arrl.net for instructions to receive invitation to meetings	
Fri	8:00 p.m.	6m SSB Net	50.230 (texasvhf.org/)
Sat	7:00-8:30 a.m.	Breakfast @ Waterloo Ice House	444.100 MHz +
Sat	9:00 a.m.	Chapter 67 QCWA QSO Net.	3.920 MHz LSB
Sat	7:00 p.m.	AARC Elmer Net	146.940 MHz - (107.2)
Daily	6:30 p.m.	Central Texas Traffic Net	147.140 MHz+



I continually run out of material and am interested in articles for publishing in this newsletter. Personal experiences are fantastic! Have you worked or played with a new technology? Or maybe you're one of the more experienced operators in our community. What changes have you seen in amateur radio throughout the years?

You don't have to be a Pulitzer Prize winner to submit an article. I'll take anything, but would love to get articles that are at least two pages in length (single-spaced). Photos are great, too! Please remember, any submissions need to be free of copyrights. Creative Commons are okay, but I will need references to be able to publish them with attribution.

Thanks & 73 DE K5MSK, Editor

### IMAGE CREDITS

Page: Over The WWWaves - Image: Radio Wave background image © Can Stock Photo Inc. / Italianestro

Page: Just For Fun- Image: Fun Zone, © Can Stock Photo / iqoncept

# Minutes of the Regular Membership Meeting of May 5, 2020

## The Austin Amateur Radio Club (AARC)

Online Meeting on Zoom hosted by Mark Jenkins & Clear Blue Sky Digital

Kerby Spruiell, President, started the meeting at 7:03 p.m.

### **New Members:**

Walter Higgins, W5SWA

Martin Bomer, W5MAN

John Martin, KC4CBS

### **Visitors:**

Frank Krizan, KR1ZAN – from Plano, TX,

President of Collins Radio Club

**New Call Signs:** None

**Ham of the Month Nominations:** None – think about for next month

### **Old Business:**

Treasurer Mark Jenkins - Six new members in April. Approximately \$10,000 in bank accounts.

Renewed insurance on Emergency Trailer and all repeater equipment with ARRL

Michael Marks, Travis County ARES – Drill May 30th, watch Groups.io and TCARES.org

Joe Canfield – Two Copeland Scholarships awarded at \$3,000 & \$5,000

Joan Cox, Secretary – Two Greenwood Scholarships awarded at \$5,000 each

Kerby Spruiell – Holding Greenwood Scholarships open until Fall due to coronavirus & hoping to get more applications

Lew Thompson – Solar Flux update

NOAA Space Weather site: <http://www.swpc.noaa.gov/>

Program: Michael Walker, VA3MW from Canada

Excellent program on “Remote HF Operations Hinks and Kinks” Flex Radio

Meeting ended at 8:45 p.m.

Joan Cox, Secretary



**Austin Amateur Radio Club, Inc.** / PO BOX 4739 / AUSTIN TX 78765-4739 / Web site: <http://www.austinhams.org>

The Austin Amateur Radio Club, Inc. (AARC) has annual membership dues of \$20.00 per person or \$30.00 per family.

### **CLUB REPEATERS**

*AARC maintains the following repeaters:*

<b>Frequency (MHz)</b>	<b>PL Tone (Hz)</b>	<b>Use / Notes</b>
146.780 (-)	-	2m D-STAR repeater [W5KA C]
146.880 (-)	107.2	Analog/Digital Fusion (Yaesu)
146.940 (-)	107.2	Most popular, TCARES WxNet, SwapNet
224.800	-	-
440.650 (+5)	-	70cm D-STAR repeater [W5KA B]
444.100	-	-
444.200	107.2	-
1293.100 (-20)	-	23cm D-STAR repeater [W5KA A]
1248.200	-	23cm D-STAR DD (data, simplex/Reversible) [W5KA A]

*Persons using the repeaters are encouraged to join the club to help support these valuable resources.*

Note: **No** AARC repeater has **auto-patch** capability any longer.

---

**The Austin Amateur Radio Club offers annual scholarships to licensees living in Travis, Williamson, Bastrop, Hays, Blanco, Caldwell, and Burnet counties.** Please see <http://austinhams.org/scholarships> for more information.

### **OFFICERS**

President	Kerby Spruiell	KG5DLD	president [at] austinhams.org
Vice President	Lew Thompson	W5IFQ	vice-president [at] austinhams.org
Treasurer	Mark Jenkins	W5MPJ	treasurer [at] austinhams.org
Secretary	Joan Cox	KD4SRD	secretary [at] austinhams.org

### **Other Contacts**

Technical (Repeater Contact)	Roy Walker	WA5YZD	wa5yzd [at] arrl.net
ARRL Travis Co. Emer. Coord.	Michael Marks	KG5RXG	kg5rxg [at] arrl.net
TCARES PIO	Jimmy Earl	WB5MET	pio [at] austinhams.org
Editor (AARCOVER, website)	Michael Skurka	K5MSK	editor [at] austinhams.org

\* Replace [at] with @ in email addresses.

---

**AARCOVER Information:** ISSN 1067-0262, CODEN AAOVE3. ©Austin Amateur Radio Club, Inc.

Published monthly by the Austin Amateur Radio Club, Inc.

Viewpoints expressed in the *AARCOVER* do not necessarily reflect those of the club, or of its members, directors, or officers. Material quoted from the ARRL Letter is supplied by the American Radio Relay League, Inc.

Members and other readers are encouraged to submit original material for publication. Contact the Editor, if mailed submissions are required. Email and/or electronic files are encouraged! Submissions may be edited for publication (for content and/or space). **Deadline is usually the 25th of each month**, but late articles may be considered for future publication. Material may be used in a later issue. Unless otherwise noted, permission is granted to reprint AARCOVER articles, provided you credit the original author and the *AARCOVER*. If material from the AARCOVER is included in another publication, a courtesy copy to the Editor is appreciated.

### **AARC Members:**

**For Changes in your ADDRESS, PHONE NUMBER or CALL SIGN**  
**Contact: Mark Jenkins, W5MPJ / treasurer [at] austinhams.org**  
**Mark handles all changes for membership information.**

